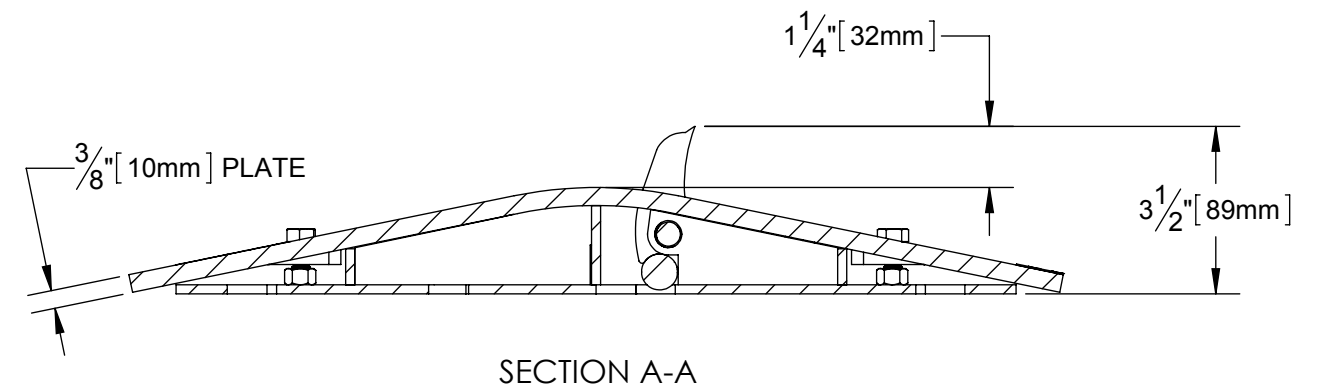
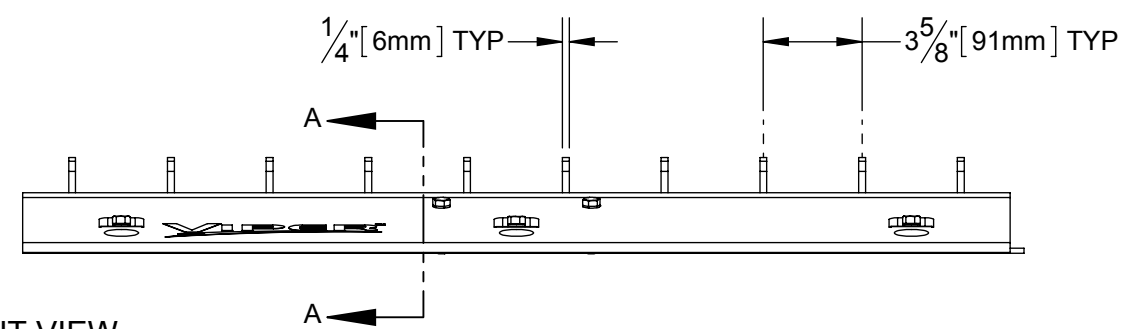
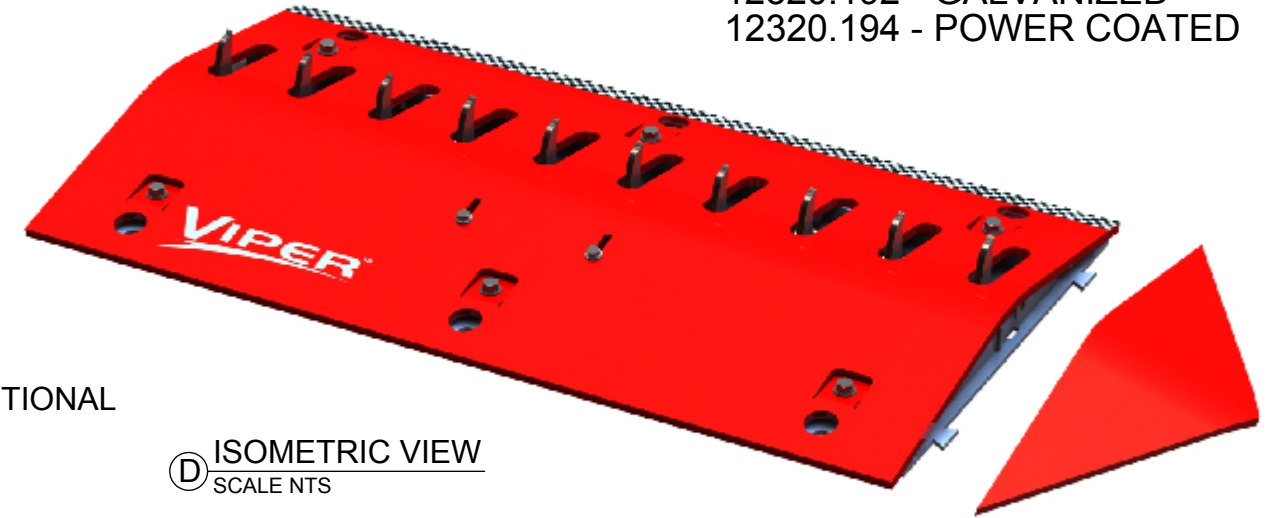
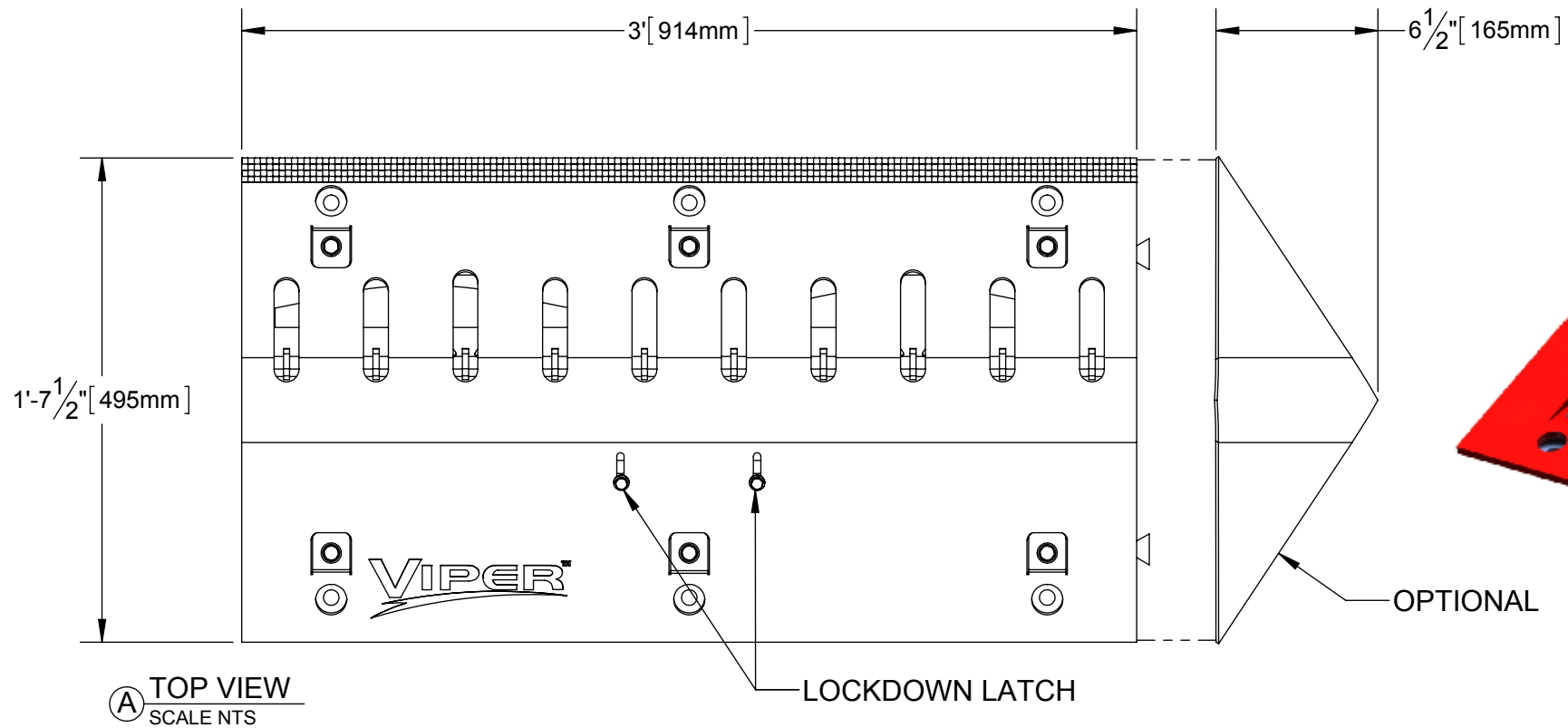


8 7 6 5 4 3 2 1

NOTES:
 ALL STEEL CONSTRUCTION
 PART NUMBERS:
 12320.100 - PAINTED
 12320.130 - GALVANIZED
 12320.130 - POWER COATED

OPTIONAL VIPER END BEVELS
 SET OF 2
 PART NUMBERS:
 12320.190 - PAINTED
 12320.192 - GALVANIZED
 12320.194 - POWER COATED



Distributed by:
SECURE LANE
 www.secure-lane.com
 520.780.9751

COPYRIGHT © 2013 GUARDIAN TRAFFIC SYSTEMS
 Proprietary Rights are included in all the information disclosed herein. This information is submitted in confidence and neither this document nor the information disclosed herein shall be reproduced or transferred to any other document, nor shall it be used or disclosed to any persons for manufacturing or any other reason except as specifically authorized in writing by Guardian Traffic Systems.

UNLESS OTHERWISE SPECIFIED:
 DIMENSIONS ARE IN INCHES
 TOLERANCES:
 FRACTIONAL: ± 1/8"
 ANGULAR: MACH ± 1° BEND ± R1/6"
 TWO PLACE DECIMAL ± .01
 THREE PLACE DECIMAL ± .005

MATERIAL:		N/A		SIZE	PART NUMBER		REV	DESCRIPTION	
DO NOT SCALE DRAWING	NAME	DATE	B	12320	-	SHEET 1	VIPER 3' (914mm) LOW PROFILE TRAFFIC SPIKE SECTION		
DRAWN	RLS	11/14/13							
SCALE: N/A			WEIGHT: N/A						

8 7 6 5 4 3 2 1