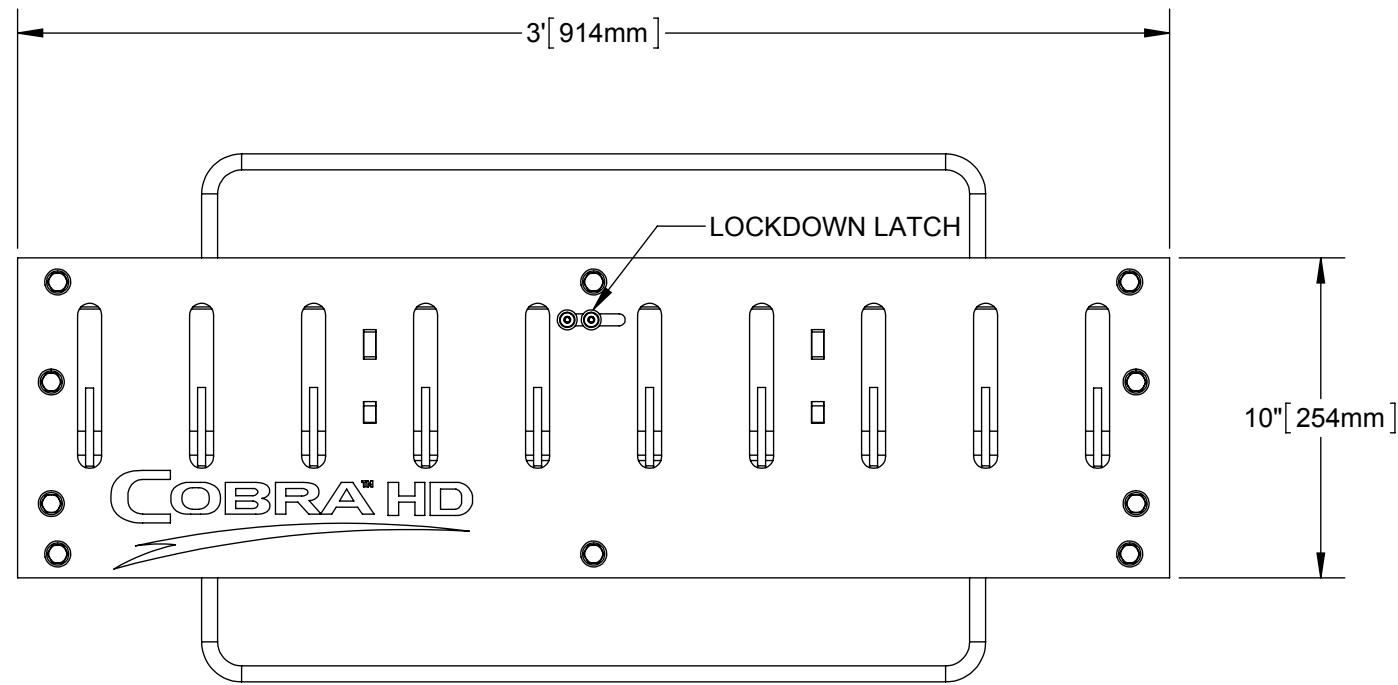
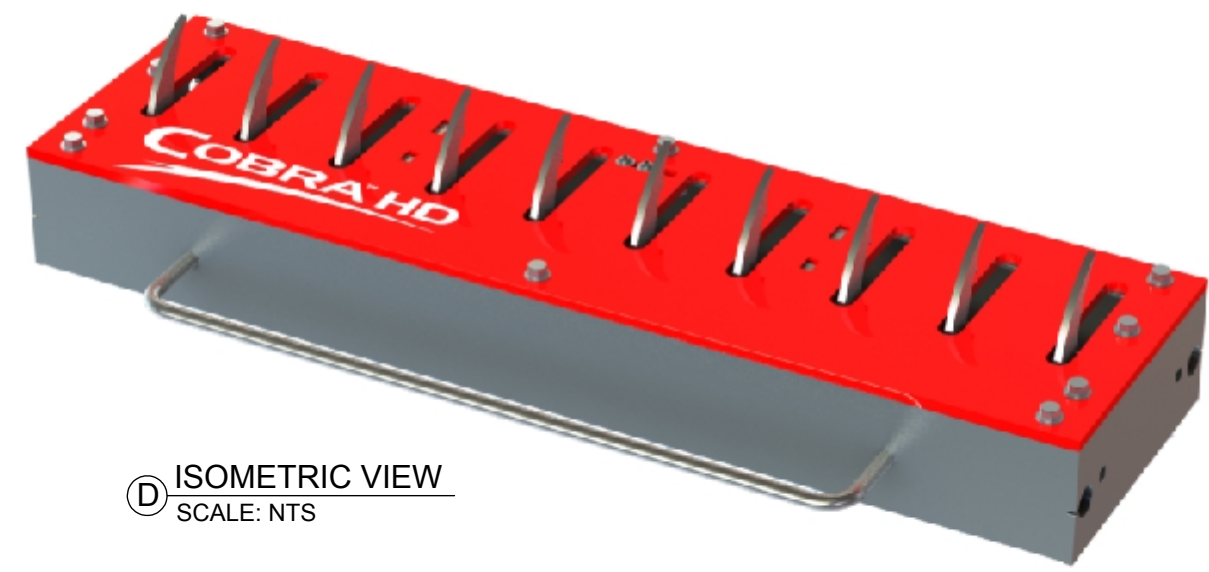


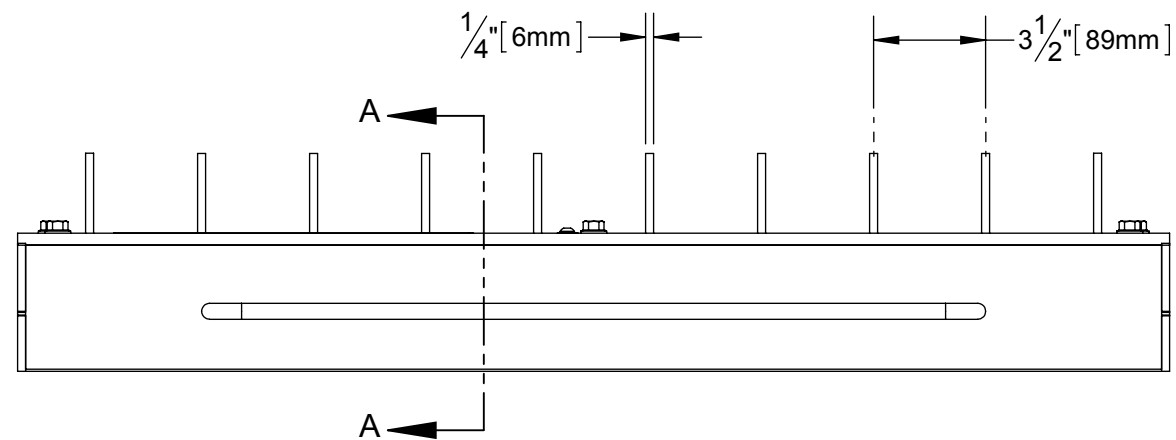
NOTES:  
 ALL STEEL CONSTRUCTION  
 PART NUMBERS:  
 11310.100 - PAINTED  
 11310.120 - GALVANIZED  
 11310.130 - POWDER COATED



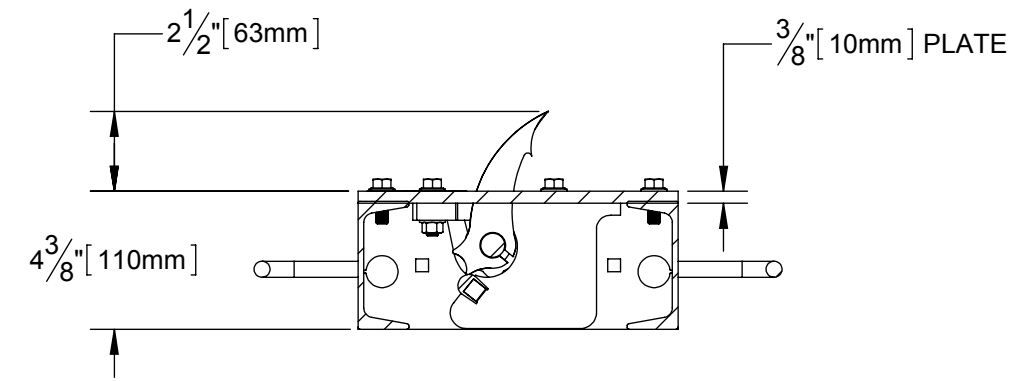
(A) TOP VIEW  
 SCALE: NTS



(D) ISOMETRIC VIEW  
 SCALE: NTS



(B) FRONT VIEW  
 SCALE: NTS



(C) SIDE VIEW  
 SCALE: NTS



Secure Lane LLC  
 www.secure-lane.com  
 520.780.9751

COPYRIGHT © 2013 GUARDIAN TRAFFIC SYSTEMS  
 Proprietary Rights are included in all the information disclosed herein. This information is submitted in confidence and neither this document nor the information disclosed herein shall be reproduced or transferred to any other document, nor shall it be used or disclosed to any persons for manufacturing or any other reason except as specifically authorized in writing by Guardian Traffic Systems.

UNLESS OTHERWISE SPECIFIED:  
 DIMENSIONS ARE IN INCHES  
 TOLERANCES:  
 FRACTIONAL: ± 1/8"  
 ANGULAR: MACH ± 1° BEND ± R1/6"  
 TWO PLACE DECIMAL ±.01  
 THREE PLACE DECIMAL ±.005

MATERIAL:		N/A		SIZE	PART NUMBER	REV	DESCRIPTION
DO NOT SCALE DRAWING	NAME	DATE		B	11310	-	COBRA HD 3' (914mm) IN-GROUND TRAFFIC SPIKE SECTION
DRAWN	RLS	11/14/13		SCALE: N/A	WEIGHT: N/A	SHEET 1	

DESCRIPTION  
 COBRA HD 3' (914mm)  
 IN-GROUND TRAFFIC  
 SPIKE SECTION